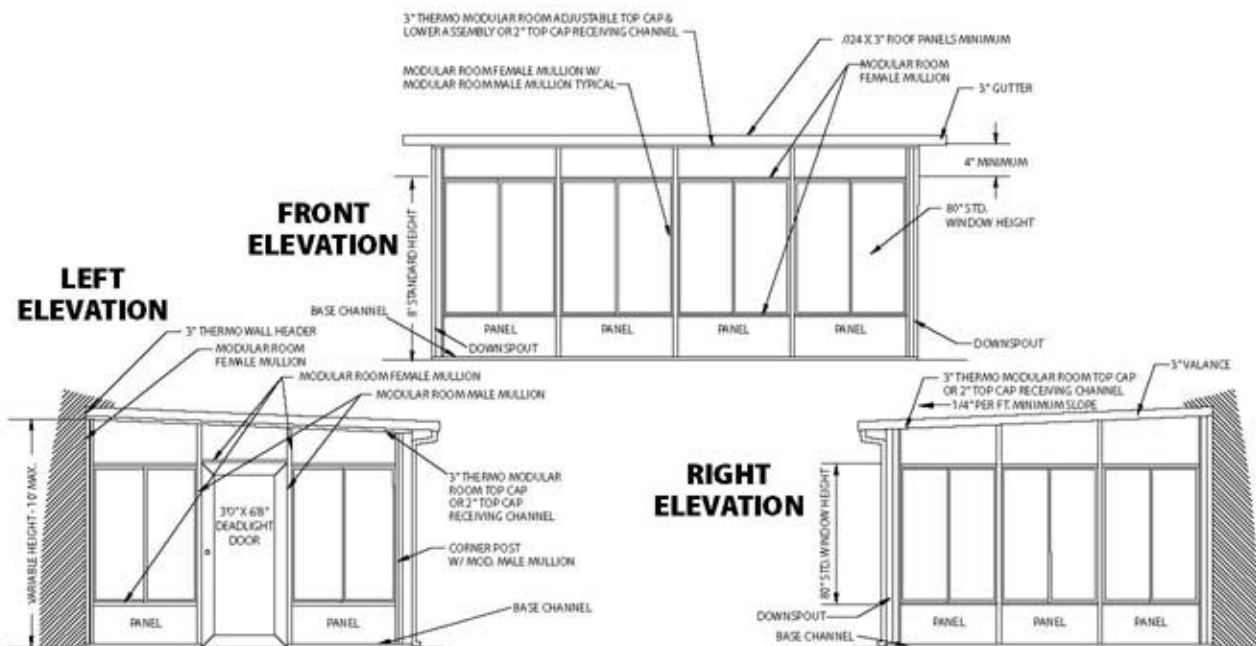


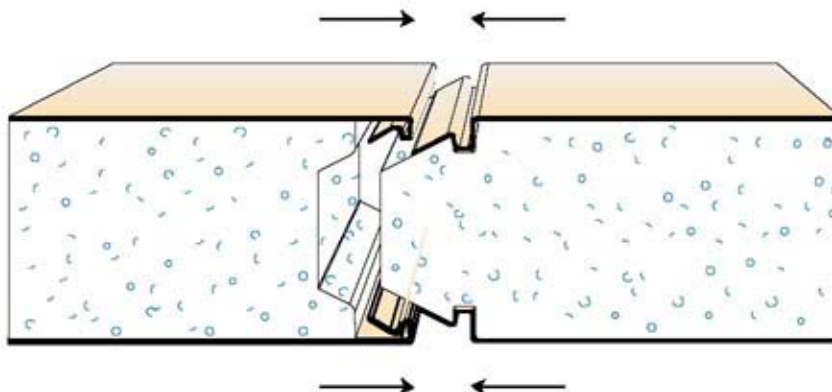
Modular Room Elevations

The Snap-N-Lock™ Panel is a superior building material - it is stronger than traditional building materials, makes installation easy, and can be clad in five different colors to give the homeowner more options. With corresponding colors in Extrusions, Windows & Doors, and Accessories, Structall becomes your one-stop shop!



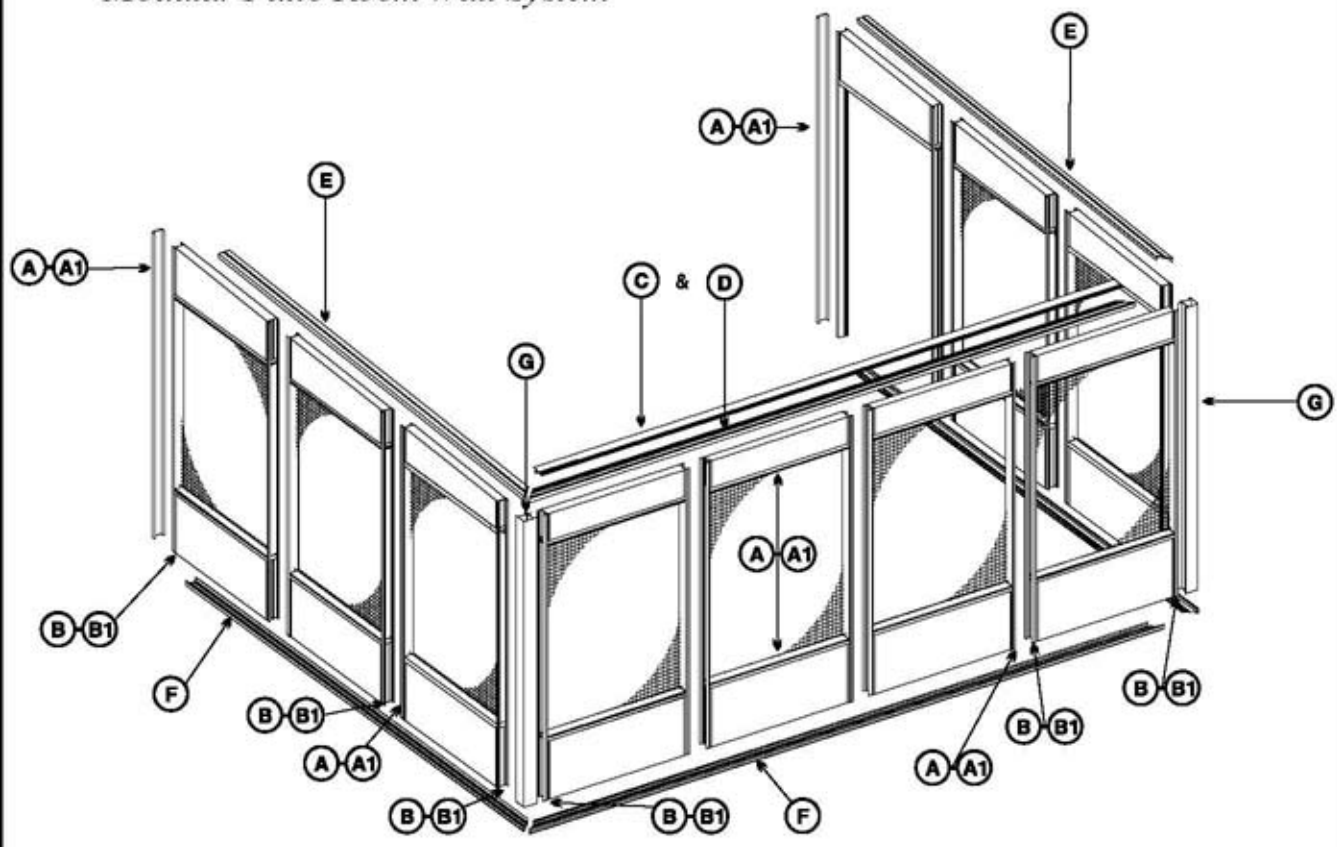
About the Snap-N-Lock™ Panel

- Internal Snap-Lock fastening feature
- Snaps together in header
- No rocking of panels required
- Continuous Insulation
- Quick and easy to install
- Foam thicknesses from 2" to 8"
- Panels come in 48" or 23-1/8" widths
- Eliminates condensation problems.
- Skylights and fans installed with ease.



Exploded View of Snap-A-Room™

Modular Patio Room Wall System



3" Snap-A-Room Components

Code	Description	Code	Description	Code	Description
EXT-3-3013	Keyed Half Receiver	EXT-3-3102	2" x 3" Thermo Modular Room Female Mullion	EXT-3-3101	2" x 3" Thermo Modular Room Male Mullion
<p>Receives kick panel and attaches to female and male mullions. Use with thermo-break extrusions.</p>		<p>Circle A: Use as one part of two part upright and to frame top and bottom of window openings.</p>		<p>Circle B: Use as one part of two part upright and to fit corner post and receiving channel.</p>	
<p>Note on Thermo Mullions (Circles A & B): Thermo Mullions are recommended for insulated glass rooms. Use Non-Thermo Mullions (A1 & B1) for screen rooms and glass rooms that are not insulated.</p>					

3" Snap-A-Room Components

Code	Description
EXT-3-3003	3" Modular Room Keyed Receiver

Receives kick panel and attaches to female and male mullions.

Code	Description
EXT-3-3002	2" x 3" Modular Room Female Mullion w/ Screen Spline

Circle A1: Use as one part of two part upright and to frame top and bottom of window openings.

Code	Description
EXT-3-3011	3" Modular Room Snap Male Mullion w/Screen Spline

Circle B1: Snaps into female mullion, eliminating the need for fasteners. Use as one part of two part upright and to fit corner post and receiving channel.

Code	Description
EXT-3-3104 EXT-3-3105	3" Thermo Modular Room Adjustable Top Cap & Lower Assembly

Circles C & D: Adjusts to roof pitch. No more gap between roof panels and front wall. 3" Adjustable Top Cap must be used with 3" Thermo Adjustable Top Cap Lower Assembly.

Code	Description
EXT-3-3106	3" Thermo Modular Room Top Cap

Circle E: Use to frame top of side wall modules when using 3" Thermo Modular Room Adjustable Top Cap & Lower Assembly.

Code	Description
EXT-1-3106	3" Thermo Base Channel

Circle F: Use to receive panels on slab and to frame bottom of wall modules.

Code	Description
EXT-1-3101	3" Thermo Corner Post

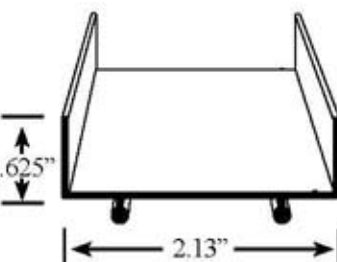
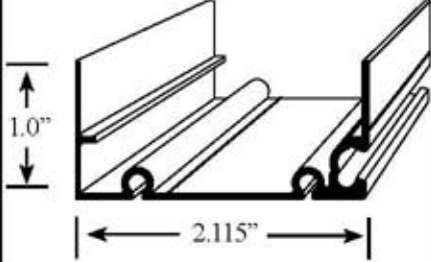
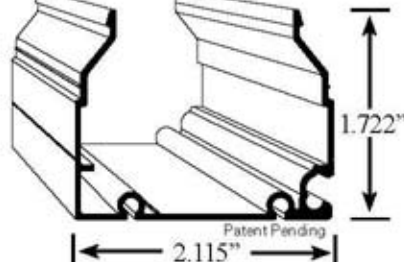
Circle G: Receives wall modules at all corners of structure.

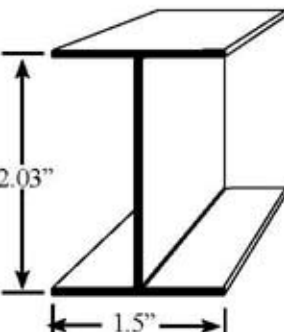
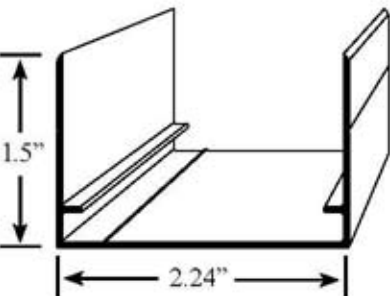
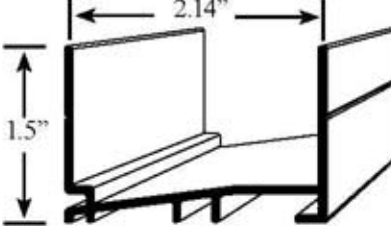
Code	Description
EXT-3-3004	3" Modular Room Front Window Support

Support base for anchoring window

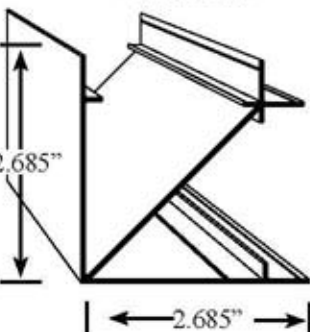
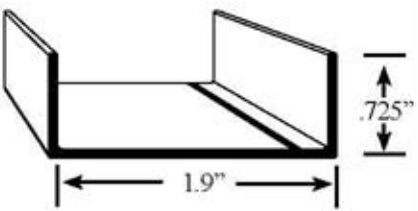
Code	Description
EXT-3-3005	3" Modular Room 90° Back Window Trim

2" Snap-A-Room Components

Code	Description	Code	Description	Code	Description
EXT-1-2111	2" Modular Room Keyed Receiver	EXT-1-2112	2" Modular Room Female Mullion	EXT-1-2113	2" Modular Room Snap Male Mullion
 <p>Receives kick panel and attaches to female and male mullions.</p>		 <p>Circle A1: Use as one part of two part upright and to frame top and bottom of window openings.</p>		 <p>Circle B1: Use as one part of two part upright and to fit corner post and receiving channel.</p>	

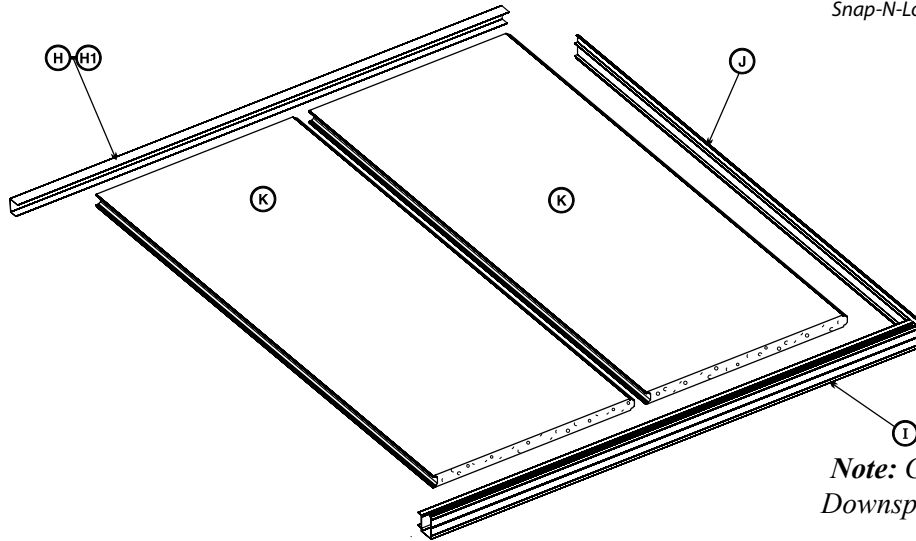
Code	Description	Code	Description	Code	Description
EXT-1-2108	2" x 1.5" H-Beam	EXT-1-2110	2" Top Cap Receiving Channel	EXT-1-2106	2" Base Channel
 <p>Receives two square cut panels. Width is consistent with finished mullion attachment.</p>		 <p>Circle E: Use to frame top of side and front wall modules.</p>		 <p>Circle F: Use to receive panels on slab and to frame bottom of wall modules.</p>	

Note: In the 2" Modular Wall System, the 2" Top Cap Receiving Channel is also used on the front wall modules instead of components C & D.

Code	Description	Code	Description
EXT-1-2114	2" Modular Room Corner Post	EXT-1-2107	2" DRC
 <p>Circles G: Receives wall modules at all corners of structure.</p>		 <p>Use to frame window and door openings when using H-Beam</p>	

Exploded View of the Snap-N-Lock™ Roof System

Snap-N-Lock Panel Patent No.'s 4,769,963 and 5,086,599.



Note: Components not pictured include Downspouts, Elbows, Drop Outs, Straps, Fasteners, and Caulking.

Snap-N-Lock™ Roof System Components

Code	Description	Code	Description	Code	Description
EXT-1-3003	3" Wall Header	EXT-1-3103	3" Thermo Wall Header	EXT-1-3001	3" Receiver Gutter
<p>Circle H1: Install to wall of dwelling to receive roof panels.</p>		<p>Circle H: Install to wall of dwelling to receive roof panels.</p>		<p>Circle I: Attach to face of roof panel. Free Gutter Clip with every 5' of 3" Receiver Gutter Purchased.</p>	
Code	Description	Code	Description	Code	Description
EXT-1-3009	3" Fascia Trim	EXT-1-3002	3" Valance	Snap-N-Lock™ Roof Panels	
<p>Use to trim front and sides of roof panels.</p>		<p>Circle J: Attach to side of roof panels when used with 3" Receiver Gutter.</p>		<ul style="list-style-type: none"> Internal Snap-Lock fastening feature Snaps together in header No rocking of panels required Continuous Insulation Quick and easy to install Foam thicknesses from 2" to 8" Panels come in 48" or 23-1/8" widths Eliminates condensation problems. Skylights and fans installed with ease. 	